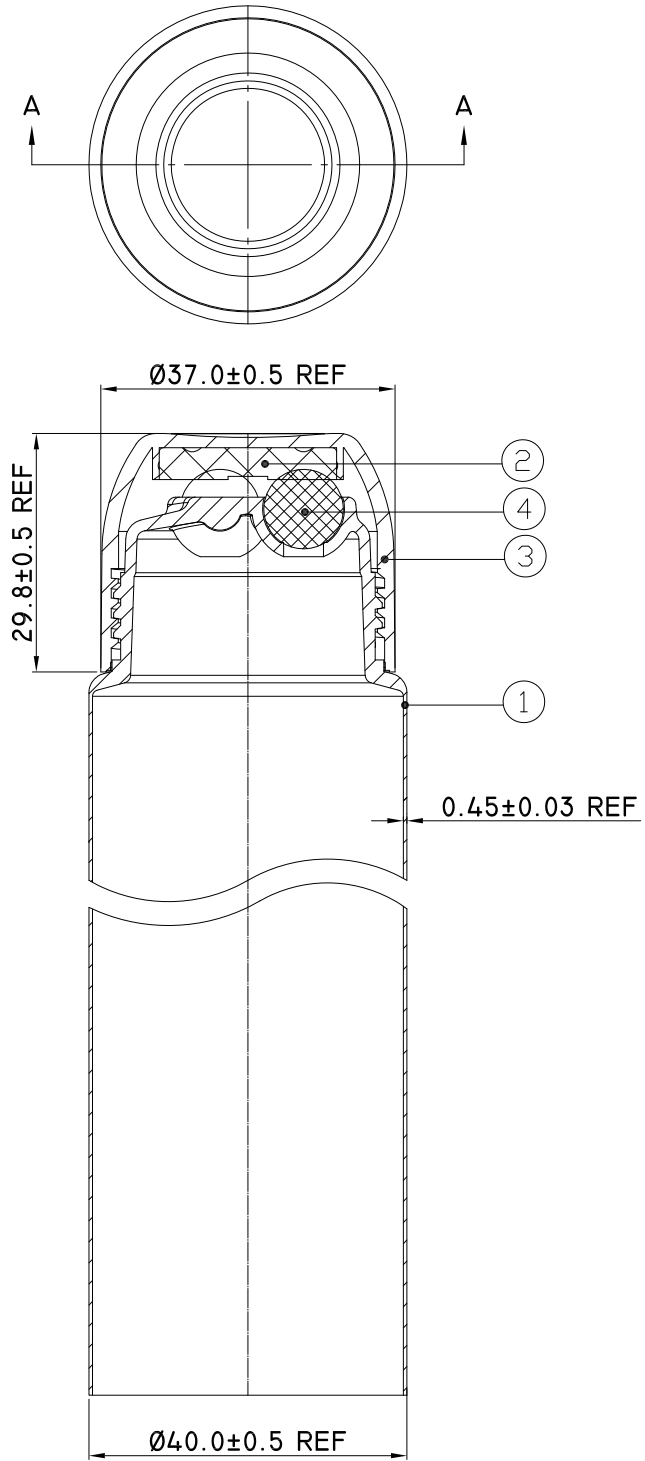


ITEM	DESCRIPTION OF REVISION	REVISED BY	DATE
⚠			



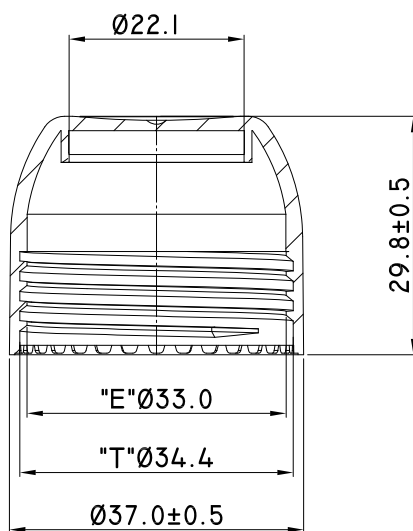
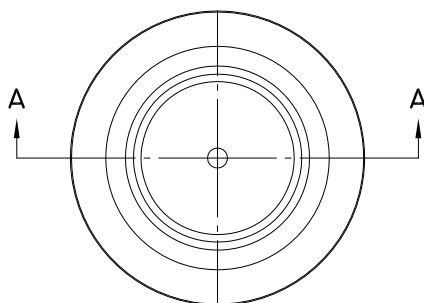
SECTION A-A

4	BALL	10MM	SUS
3	CAP	D40-T127UD	PP
2	LINER	CS014	TPE
1	TUBE	D40-QQ3	PE
No	PARTS	PART CODE	MATERIALS

<p>PROPRIETARY AND CONFIDENTIAL</p> <p>THE INFORMATION CONTAINED IN THIS DRAWING IS THE SOLE PROPERTY OF UDN INTERNATIONAL INC. ANY REPRODUCTION IN PART OR AS A WHOLE WITHOUT THE WRITTEN PERMISSION OF UDN INTERNATIONAL INC. IS PROHIBITED.</p>	Designed DZS 2022/07/15	Date 2022/07/15	Drawing Name: D40-QQ3-D40-T127UD	
	Checked BECK 2022/07/15	Date 2022/07/15	Product Name ASSEMBLY	
	Approved	Date	Drawing/File No.	
	GENERAL TOLERANCES		Scale	1 : 1
	X.X ±0.2	Unit	mm	View
	X.XX ±0.15	Don't Scale Drawing		
	ANGULAR X.X ±0.5°			



ITEM	DESCRIPTION OF REVISION	REVISED BY	DATE
△			

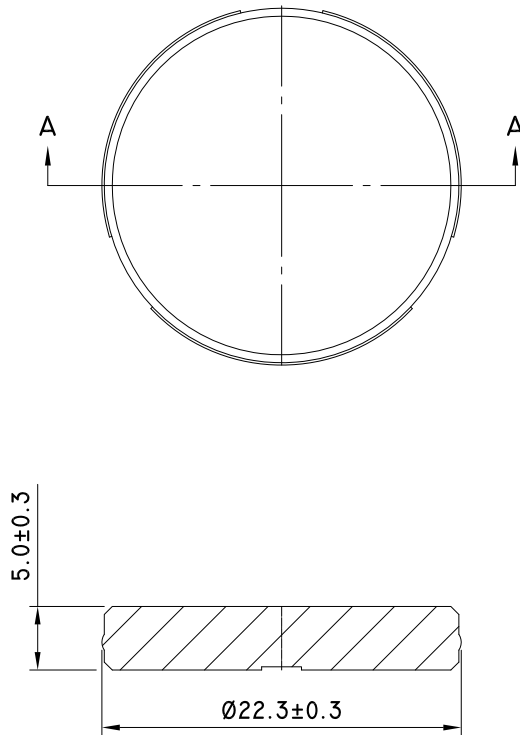


SECTION A-A

<p>PROPRIETARY AND CONFIDENTIAL</p> <p>THE INFORMATION CONTAINED IN THIS DRAWING IS THE SOLE PROPERTY OF UDN INTERNATIONAL INC. ANY REPRODUCTION IN PART OR AS WHOLE WITHOUT THE WRITTEN PERMISSION OF UDN INTERNATIONAL INC. IS PROHIBITED.</p>	Designed DZS 2022/07/15	Date 2022/07/15	Drawing Name: D40-TI27UD		
	Checked BECK 2022/07/15	Date 2022/07/15	Product Name CAP		
	Approved	Date	Drawing/File No.		
	GENERAL TOLERANCES		Scale 1 : 1	Material PP	
	X.X ±0.2 X.XX ±0.15 ANGULAR X.X ±0.5°		Unit mm	View	
Don't Scale Drawing					




ITEM	DESCRIPTION OF REVISION	REVISED BY	DATE
△			



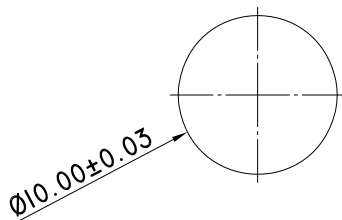
SECTION A-A

<p>PROPRIETARY AND CONFIDENTIAL</p> <p>THE INFORMATION CONTAINED IN THIS DRAWING IS THE SOLE PROPERTY OF UDN INTERNATIONAL INC. ANY REPRODUCTION IN PART OR AS A WHOLE WITHOUT THE WRITTEN PERMISSION OF UDN INTERNATIONAL INC. IS PROHIBITED.</p>	Designed DZS 2022/07/15	Date 2022/07/15	Drawing Name:		CS014		
	Checked BECK 2022/07/15	Date 2022/07/15	Product Name		LINER		
	Approved	Date	Drawing/File No.				
	GENERAL TOLERANCES		Scale	2 : 1	Material	TPE	
	X.X ±0.2 X.XX ±0.15 ANGULAR X.X ±0.5°		Unit	mm	View		
Don't Scale Drawing							




UDN
PACKAGING CORPORATION
<http://www.udnpack.net>

ITEM	DESCRIPTION OF REVISION	REVISED BY	DATE
△			

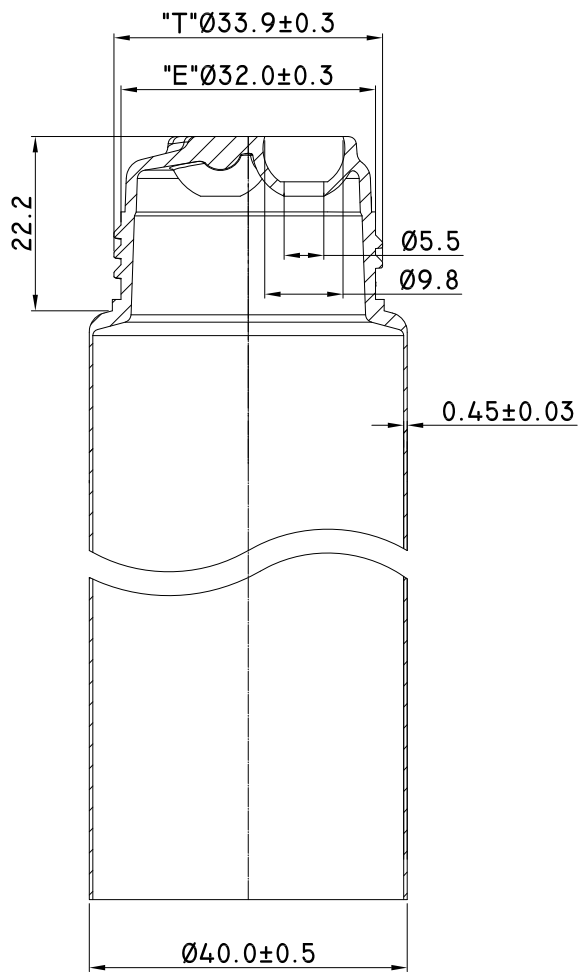
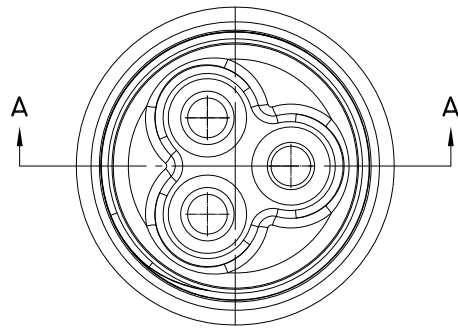


<p>PROPRIETARY AND CONFIDENTIAL</p> <p>THE INFORMATION CONTAINED IN THIS DRAWING IS THE SOLE PROPERTY OF UDN INTERNATIONAL INC. ANY REPRODUCTION IN PART OR AS WHOLE WITHOUT THE WRITTEN PERMISSION OF UDN INTERNATIONAL INC. IS PROHIBITED.</p>	Designed DZS Date 2022/07/15	Drawing Name:	Ø10.00MM			
	Checked BECK Date 2022/07/15	Product Name	BALL			
	Approved Date	Drawing/File No.				
	GENERAL TOLERANCES	Scale	2 : 1	Material	SUS	
		Unit	mm	View		
	X.X ±0.2 X.XX ±0.15 ANGULAR X.X ±0.5°	Don't Scale Drawing				




UDN
PACKAGING CORPORATION
<http://www.udnpack.net>

ITEM	DESCRIPTION OF REVISION	REVISED BY	DATE
△			



SECTION A-A

<p>PROPRIETARY AND CONFIDENTIAL</p> <p>THE INFORMATION CONTAINED IN THIS DRAWING IS THE SOLE PROPERTY OF UDN INTERNATIONAL INC. ANY REPRODUCTION IN PART OR AS A WHOLE WITHOUT THE WRITTEN PERMISSION OF UDN INTERNATIONAL INC. IS PROHIBITED.</p>	Designed DZS 2022/07/15	Date 2022/07/15	Drawing Name: D40-QQ3		
	Checked BECK 2022/07/15	Date 2022/07/15	Product Name TUBE		
	Approved	Date	Drawing/File No.		
	GENERAL TOLERANCES		Scale	1 : 1	Material
	X.X ±0.2 X.XX ±0.15 ANGULAR X.X ±0.5°		Unit	mm	View
Don't Scale Drawing					
 UDN PACKAGING CORPORATION http://www.udnpack.net					